

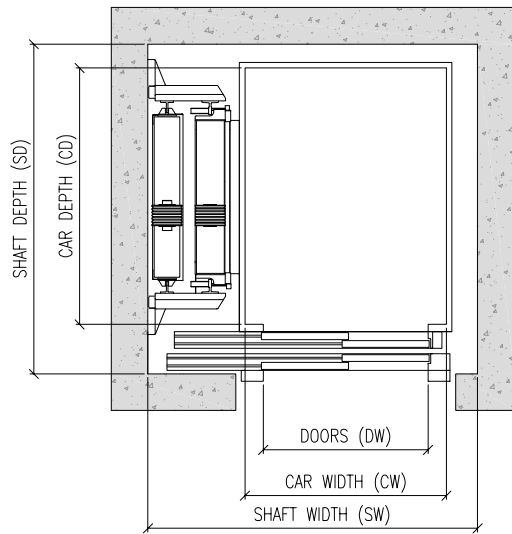
EXPRESS MRL SE - SINGLE ENTRANCE CAR

LOAD	PERSONS	CAR (CW x CD)	DOORS (DW)	SHAFT (SW x SD) SIDE OPENING DOORS	SHAFT (SW x SD) CENTRE OPENING DOORS	PIT	HEADROOM	TRAVEL MAX.
400	5	900 x 1200	800	1600 x 1600	1900 x 1500	300	2800	12 M
480	6	950 x 1300	800 / 900	1650 x 1700	1950 x 1600	300	2800	12 M
480	6	1000 x 1250	800 / 900	1700 x 1650	2000 x 1550	300	2800	12 M
630	8	1100 x 1400	800 / 900	1800 x 1800	2100 x 1700	300	2800	12 M

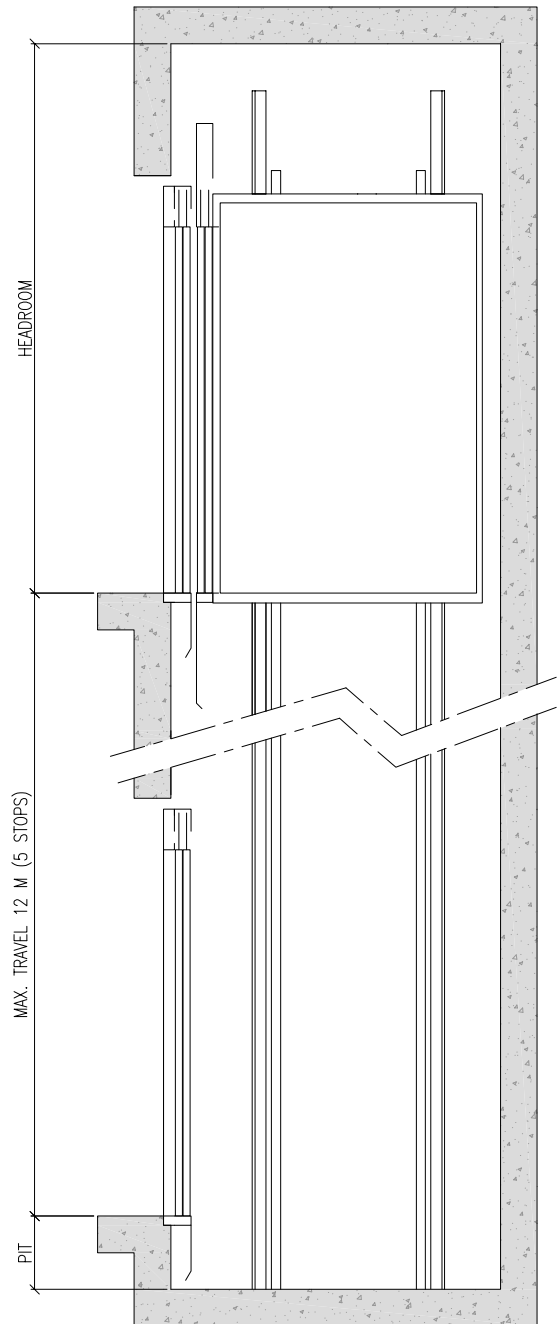
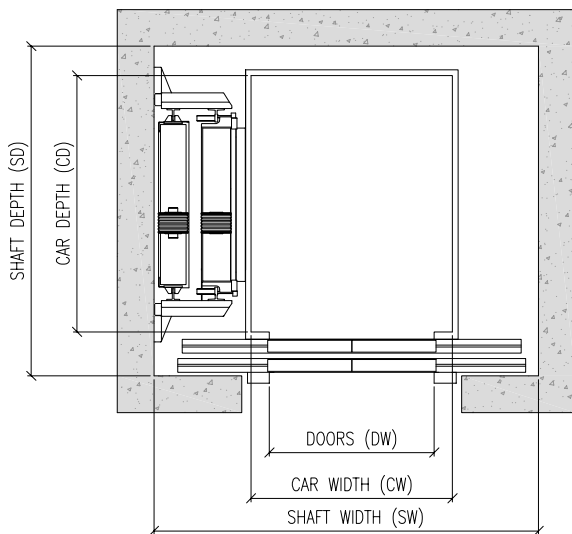
PLANNING GUIDE ONLY - NOT FOR CONSTRUCTION

NOTE: NON-STANDARD SIZES ARE AVAILABLE, PLEASE CONTACT OUR OFFICE FOR FURTHER INFORMATION (08) 9379 3465

SIDE OPENING DOORS



CENTRE OPENING DOORS



DRAWN:	SF
DWG NO:	MRS-001
VERSION:	A

PLANNING GUIDE ONLY



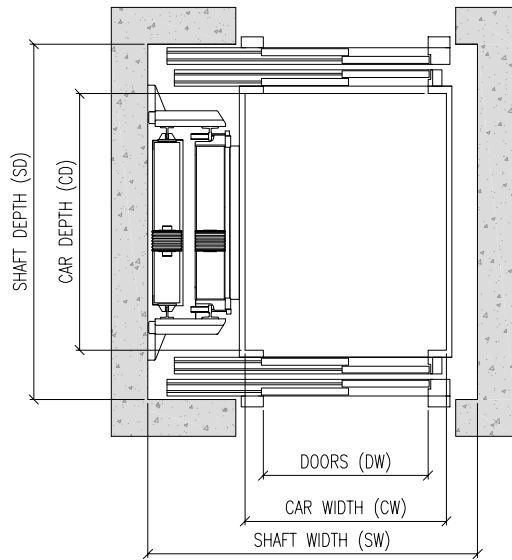
EXPRESS MRL SE - 2 ENTRANCE CAR (180°)

LOAD	PERSONS	CAR (CW x CD)	DOORS (DW)	SHAFT (SW x SD) SIDE OPENING DOORS	SHAFT (SW x SD) CENTRE OPENING DOORS	PIT	HEADROOM	TRAVEL MAX.
400	5	900 x 1200	800	1600 x 1700	1900 x 1540	300	2800	12 M
480	6	950 x 1300	800 / 900	1650 x 1800	1950 x 1640	300	2800	12 M
480	6	1000 x 1250	800 / 900	1700 x 1750	2000 x 1590	300	2800	12 M
630	8	1100 x 1400	800 / 900	1800 x 1900	2100 x 1740	300	2800	12 M

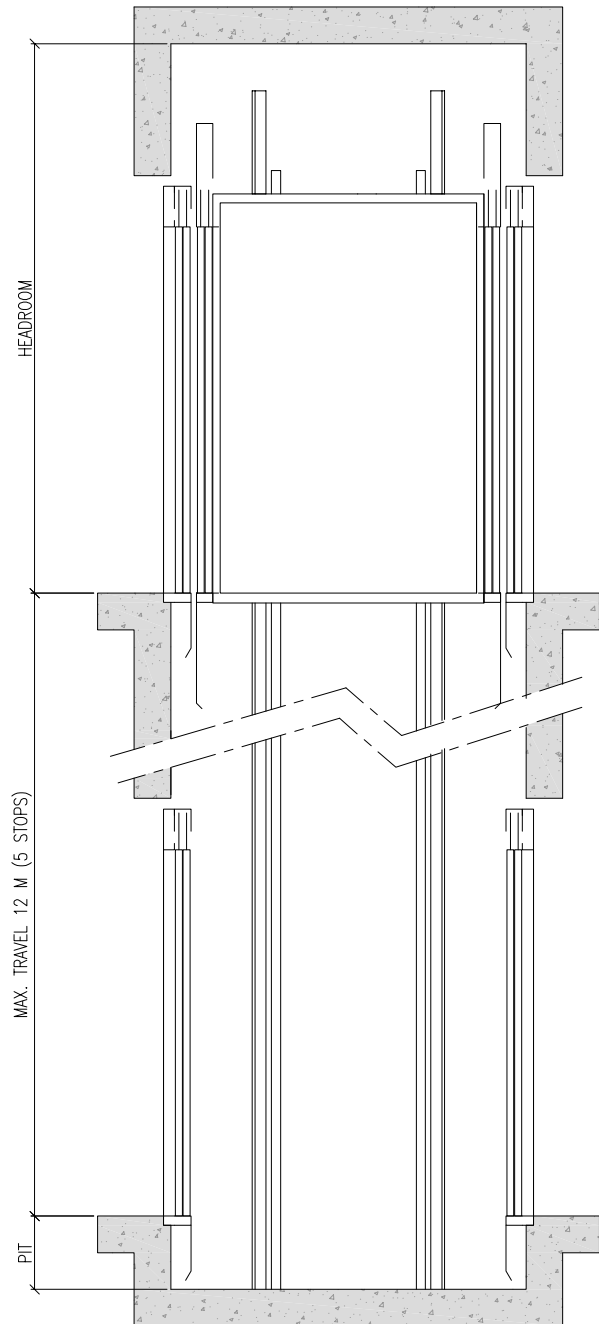
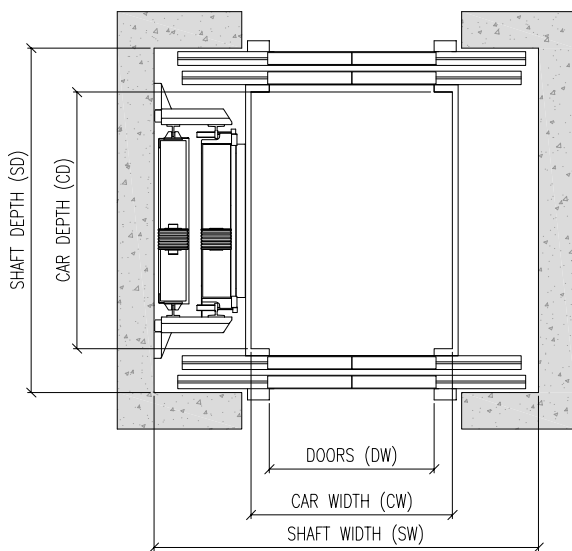
PLANNING GUIDE ONLY - NOT FOR CONSTRUCTION

NOTE: NON-STANDARD SIZES ARE AVAILABLE, PLEASE CONTACT OUR OFFICE FOR FURTHER INFORMATION

SIDE OPENING DOORS



CENTRE OPENING DOORS



DRAWN:	SF
DWG NO:	MRS-002
VERSION:	A

PLANNING GUIDE ONLY

GRANT
ELEVATORS

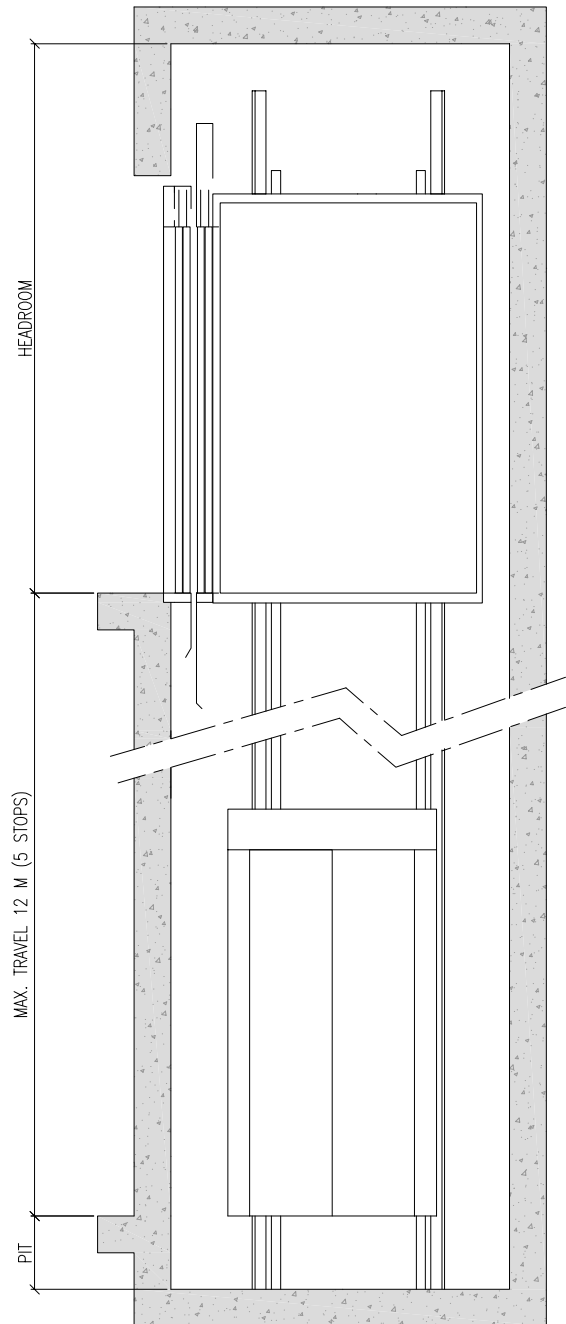
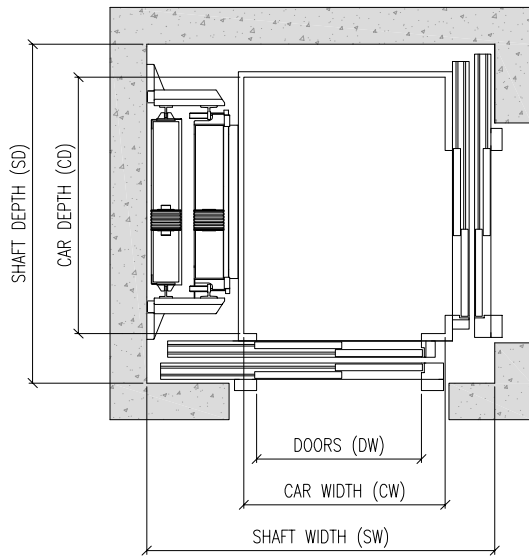
EXPRESS MRL SE - 2 ENTRANCE CAR (90°)

LOAD	PERSONS	CAR (CW x CD)	DOORS (DW)	SHAFT (SW x SD) SIDE OPENING DOORS	SHAFT (SW x SD) CENTRE OPENING DOORS	PIT	HEADROOM	TRAVEL MAX.
400	5	900 x 1200	800	1700 x 1700	N/A	300	2800	12 M
480	6	950 x 1300	800 / 900	1750 x 1800	N/A	300	2800	12 M
480	6	1000 x 1250	800 / 900	1800 x 1800	N/A	300	2800	12 M
630	8	1100 x 1400	800 / 900	1950 x 1800	N/A	300	2800	12 M

PLANNING GUIDE ONLY - NOT FOR CONSTRUCTION

NOTE: NON-STANDARD SIZES ARE AVAILABLE, PLEASE CONTACT OUR OFFICE FOR FURTHER INFORMATION

SIDE OPENING DOORS



DRAWN:	SF
DWG NO:	MSR-003
VERSION:	A

PLANNING GUIDE ONLY

