

EASY GLIDE - SWING DOORS

Planning Guide Only - Do not build to these dimensions.
 Custom sizes are available, please contact our office for information.

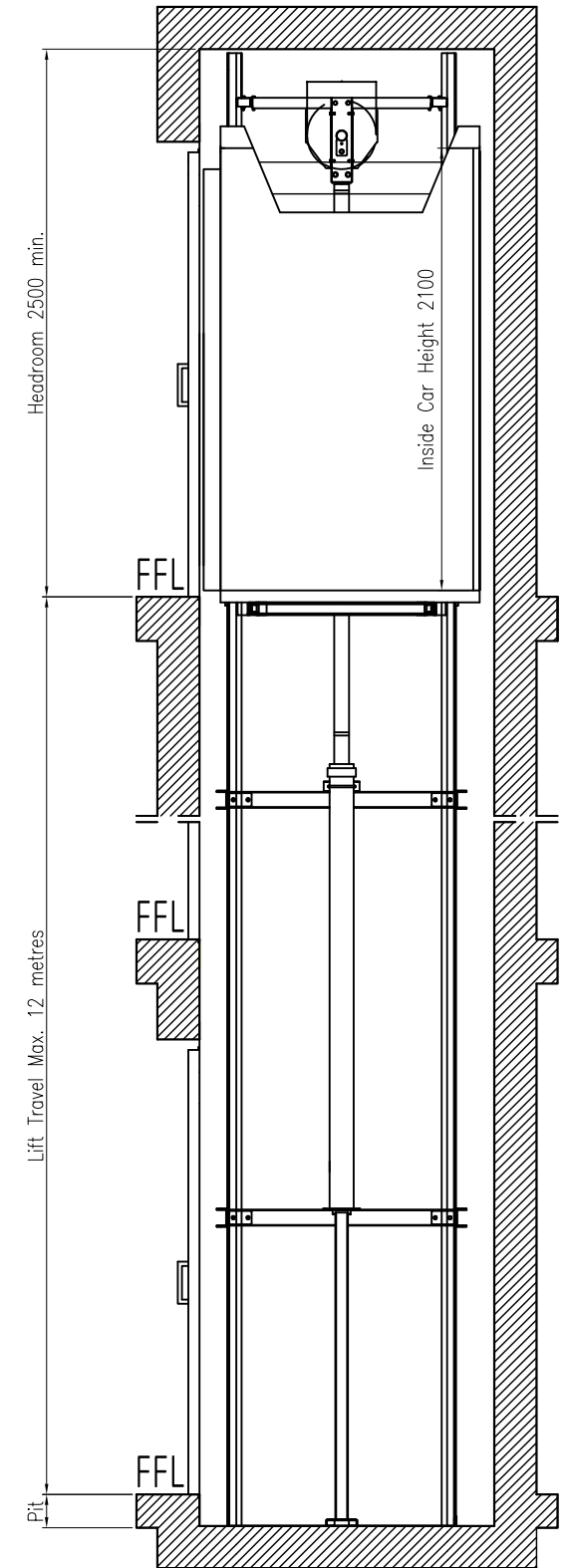
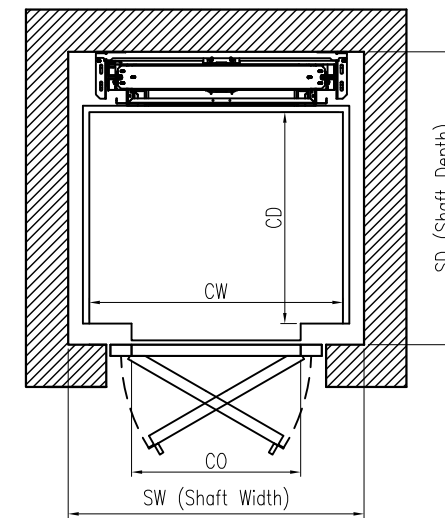
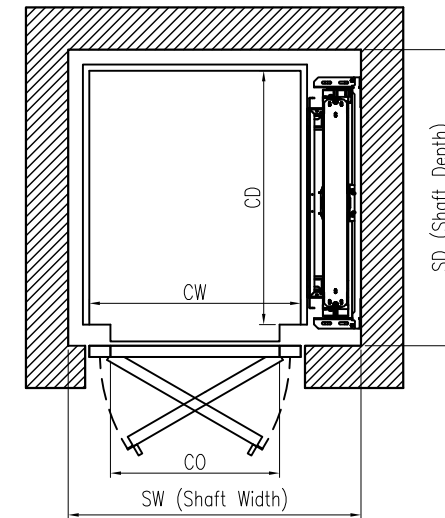
CW Car width
 CD Car depth
 CO Car entrance width
 SW Shaft width
 SD Shaft Depth
 * Dimensions are in mm

SINGLE ENTRANCE - SIDE RAILS

	Load	250 kg	315 kg	315 kg	315 kg	315 kg	385 kg	385 kg	385 kg	385 kg
	Pers.	3	4	4	4	4	5	5	5	5
Car	CW	800	800	800	1000	1000	900	1000	1100	1200
	CD	800	1000	1200	800	1000	1400	1200	1400	1200
	CO	800	800	800	800	800	800	800	900	900
Shaft	SW	1200	1200	1200	1400	1400	1300	1400	1500	1600
	SD	960	1160	1360	960	1160	1560	1360	1560	1360
	Pit	170	170	170	170	170	200	200	200	200
	H/Room	2500	2500	2500	2500	2500	2500	2500	2500	2500

SINGLE ENTRANCE - REAR RAILS

	Load	250 kg	315 kg	315 kg	315 kg	315 kg	385 kg	385 kg	385 kg	385 kg
	Pers.	3	4	4	4	4	5	5	5	5
Car	CW	800	800	800	1000	1000	860	1000	1100	1200
	CD	800	1000	1200	800	1000	1250	1200	1400	1200
	CO	800	800	800	800	800	800	800	900	900
Shaft	SW	1000	1000	1000	1120	1120	1060	1120	1220	1320
	SD	1200	1400	1600	1200	1400	1650	1600	1900	1600
	Pit	170	170	170	170	170	200	200	200	200
	H/Room	2500	2500	2500	2500	2500	2500	2500	2500	2500



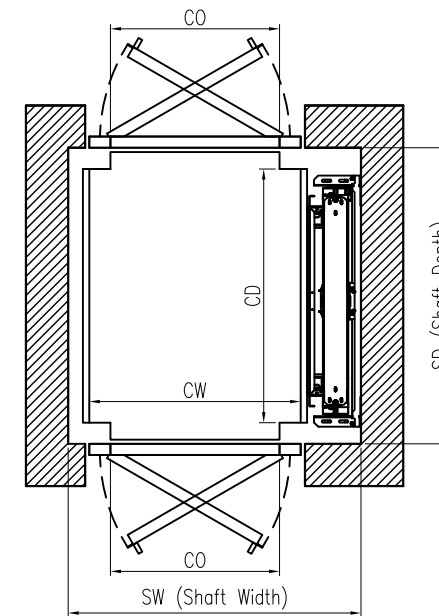
EASY GLIDE - SWING DOORS

Planning Guide Only - Do not build to these dimensions.
 Custom sizes are available, please contact our office for information.

CW Car width
 CD Car depth
 CO Car entrance width
 SW Shaft width
 SD Shaft Depth
 * Dimensions are in mm

FRONT & REAR ENTRANCES

	Load	250 kg	315 kg	315 kg	315 kg	315 kg	385 kg	385 kg	385 kg	385 kg
	Pers.	3	4	4	4	4	5	5	5	5
Car	CW	800	800	800	1000	1000	900	1000	1100	1200
	CD	800	1000	1200	800	1000	1400	1200	1400	1200
Shaft	CO	800	800	800	800	800	800	800	900	900
	SW	1200	1200	1200	1400	1400	1300	1400	1500	1600
	SD	1020	1220	1420	1020	1220	1620	1420	1620	1420
	Pit	170	170	170	170	170	200	200	200	200
	H/Room	2500	2500	2500	2500	2500	2500	2500	2500	2500



FRONT & SIDE ENTRANCES

	Load	250 kg	315 kg	315 kg	315 kg	315 kg	385 kg	385 kg	385 kg	
	Pers.	3	4	4	4	4	5	5	5	
Car	CW	800	800	800	950	1000	1000	1000	1100	1200
	CD	800	1000	1200	1000	800	1000	1200	1400	1200
Shaft	CO	800	800	800	800	800	800	800	900	900
	SW	1200	1200	1200	1350	1400	1400	1400	1500	1600
	SD	1000	1180	1380	1180	1020	1180	1380	1580	1380
	Pit	170	170	170	170	170	170	200	200	200
	H/Room	2500	2500	2500	2500	2500	2500	2500	2500	2500

