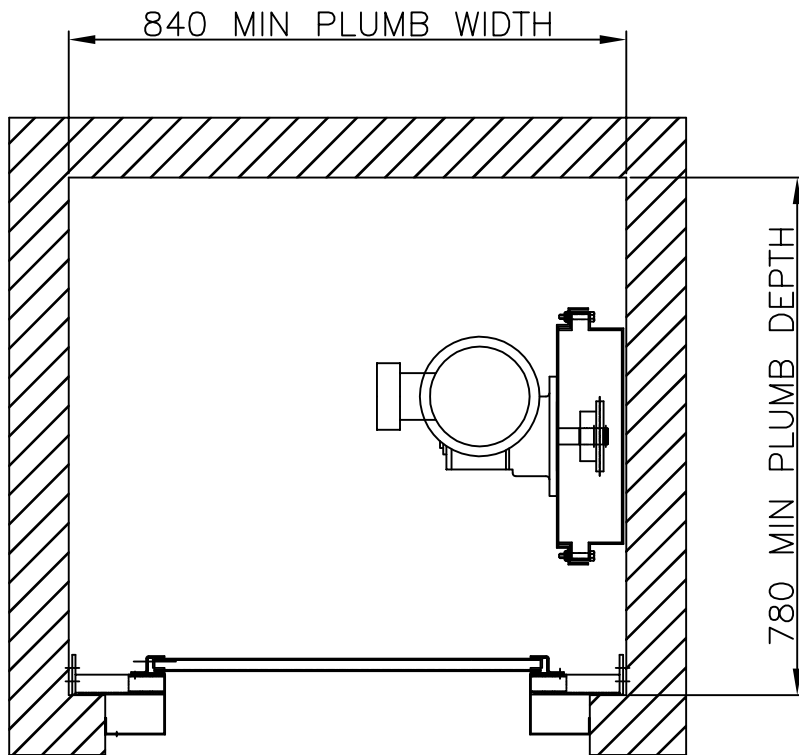


PLAN OF CAR IN SHAFT



PLAN OF PIT



TITLE
 SHAFT PLAN
 MODEL - MANWELL 50kg
 FRONT ENTRANCES
 PREMISES N/A

| | |
|----------|------------|
| DRAWN | SH |
| DATE | 12/02/2009 |
| SCALE | N.T.S. |
| REVISION | |
| DWG No | |