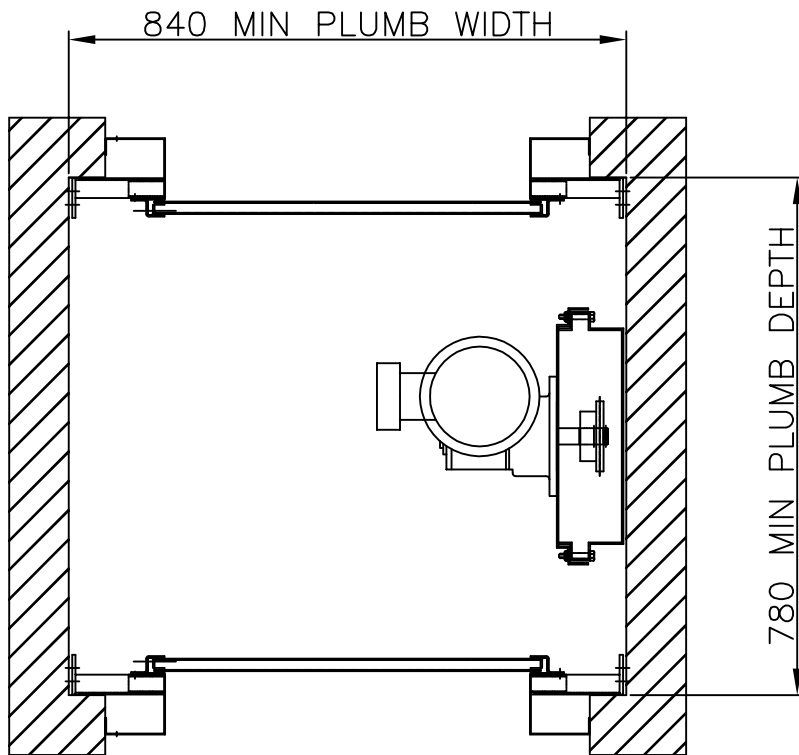


PLAN OF CAR IN SHAFT



PLAN OF PIT



TITLE  
 SHAFT PLAN  
 MODEL - MANWELL 50kg  
 FRONT & REAR OPENINGS  
 PREMISES N/A

DRAWN	SH
DATE	12/02/2009
SCALE	N.T.S.
REVISION	
DWG No	