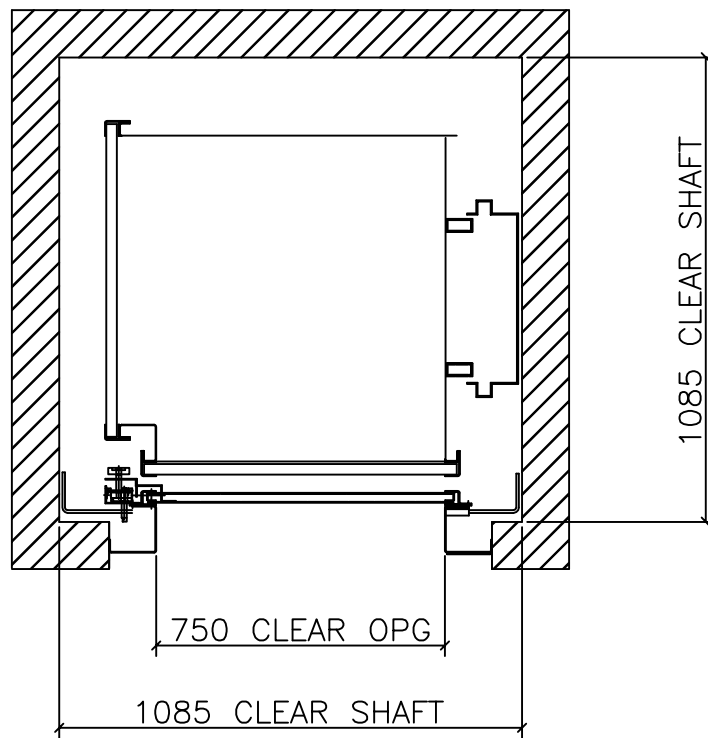


PLAN WITH LANDING OPPOSITE GUIDE



PLAN WITH LANDING ADJACENT GUIDE



TITLE  
 SHAFT PLAN  
 MODEL - MANWELL 100kg  
 FRONT & SIDE OPENINGS  
 PREMISES N/A

DRAWN	SH
DATE	12/02/2009
SCALE	N.T.S.
REVISION	
DWG No	